



# MV UAL TEXAS



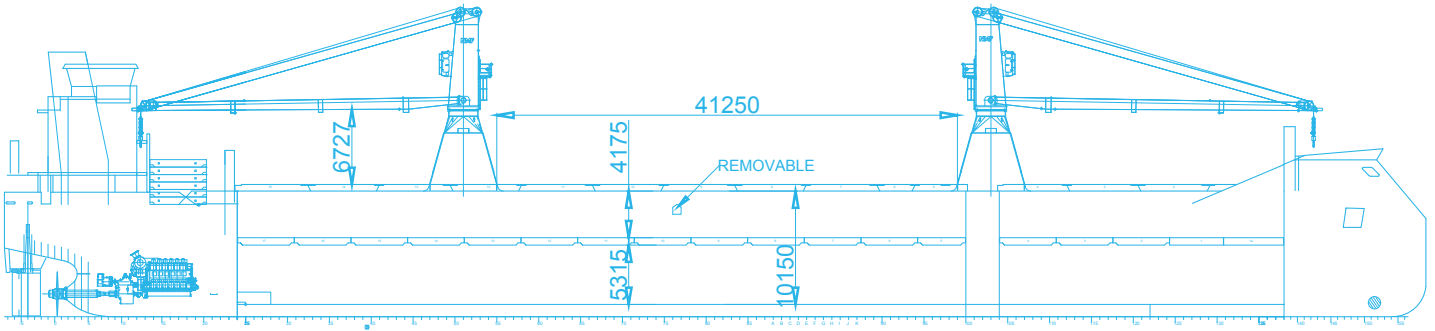
GENERAL INFORMATION	
Name	UAL TEXAS
Type	MPP Dry Cargo Ship
IMO	9542350
Built	2013
Flag	Dutch
Class	LR
Call Sign	PCPY
TONNAGE	
DWT	8736,79 mt
GT	5925 mt
NT	2710 mt
MAIN DATA	
LOA	127,30 m
Beam	15,80 m
Summer Draft	6,75 m
HOLDS / HATCHES	
Number	2 Holds
Hold Dimensions	
Hold No.1	25,5 m x 13,25 m / 7,2 m (narrow forward)
Hold No.2	65,25 m x 13,25 m
FLOOR SPACE	
Under Deck	2338 m <sup>2</sup>
On Deck	1280,4 m <sup>2</sup>
Total	3618,4 m <sup>2</sup>
CARGO CAPACITY	
Total Capacity (WITHOUT TWEENDECK)	11.970 CBM / 420.000 CBFT

PERFORMANCE	
Max Speed	13,5 Kts
DECK STRENGTHS	
Tanktop	15 mt/m <sup>2</sup>
Tweendeck	3,5 mt/m <sup>2</sup>
Hatchcover	2,6 mt/m <sup>2</sup>
CONTAINER CAPACITY	
In Hold	198 TEU
On Deck	172 TEU
Total (Nonimal)	370 TEU
Stackweight on deck	28 mt/TEU line load or Max. 35 mt/TEU (4 TEU next to each other, except mid position); 54 mt/FEU line load
Stackweight under deck	70 mt/TEU; 70 mt/FEU
Reefer Plugs	50
CARGO / HANDLING GEAR	
Cranes	2 Cranes; Each up to 80mt
Comined Lift Capacity	160 mt
Position	Port Side
Automode	Yes
Hatch Gantry	Yes
SPECIAL EQUIPMENT / FEATURE	
Highest Iceclass	No
CO2 Fitted	Yes
Bowthruster	1 x 300 Kw (408 HP)
IMO 1-9 Fitted	Yes
A60 Bulkhead	No
Grain Fitted	Yes

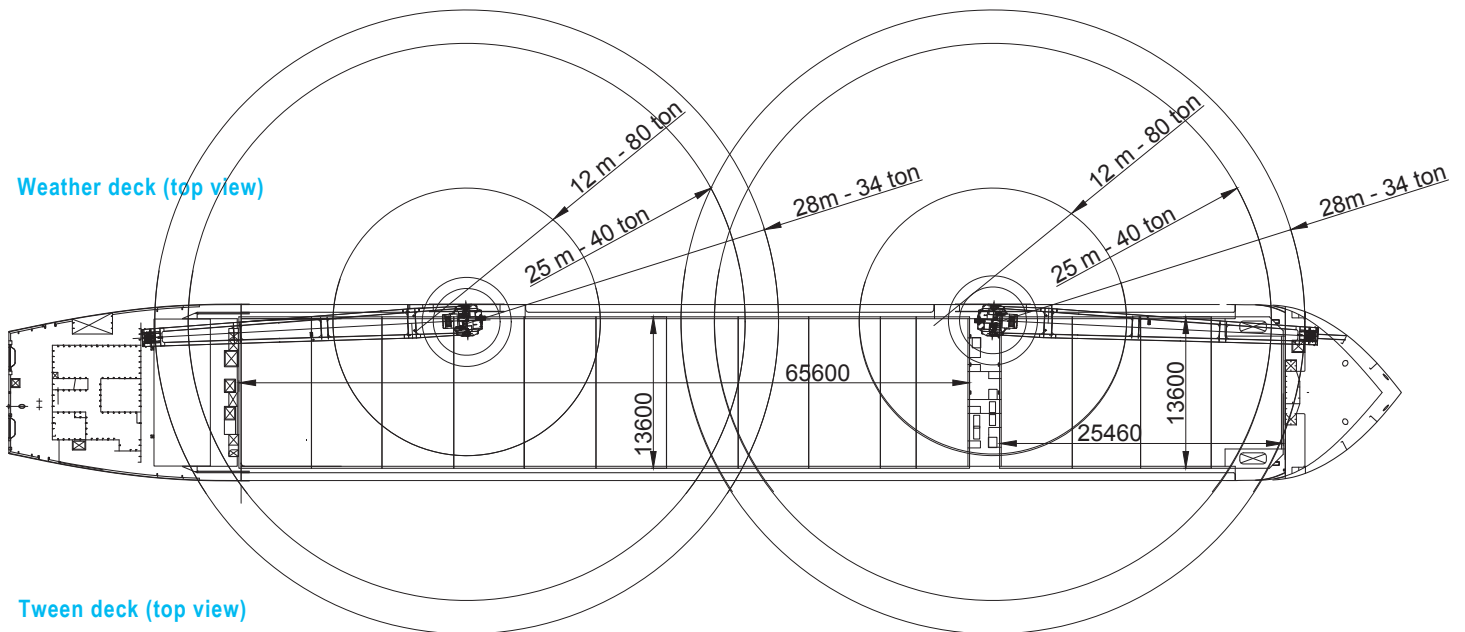
All details are given in good faith but without guarantee of accuracy and completeness



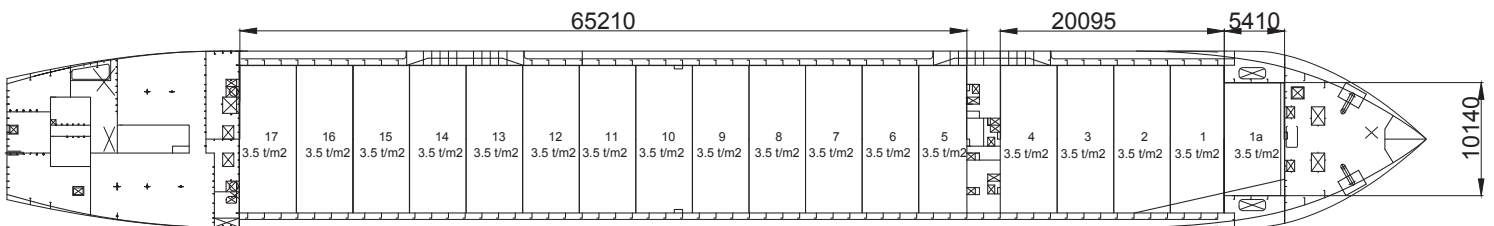
Side view



Weather deck (top view)



Tween deck (top view)



Tanktop (top view)

