



#### GENERAL INFORMATION

Name	UAL AFRICA
Type	MPP Dry Cargo Ship
IMO	9529243
Built	2011
Flag	Dutch
Class	LR
Call Sign	PBCC

#### TONNAGE

DWT	8326,33 mt
GT	5568 mt
NT	2581 mt

#### MAIN DATA

LOA	119,05 m
Beam	15,80 m
Summer Draft	6,95 m

#### HOLDS / HATCHES

Number	2 Holds
Hold Dimensions	
Hold No.1	25,5 m x 13,25 m / 7,2 m (narrow forward)
Hold No.2	57,00 m x 13,25 m

#### FLOOR SPACE

Under Deck	2051 m <sup>2</sup>
On Deck	1122 m <sup>2</sup>
Total	3173 m <sup>2</sup>

#### CARGO CAPACITY

Total Capacity ( without TWEENDECK )	10.775 CBM / 380.500 CBFT
--------------------------------------	---------------------------

#### PERFORMANCE

Max Speed	13,5 Kts
-----------	----------

#### DECK STRENGTHS

Tanktop	15 mt/m <sup>2</sup>
Tweendeck	3,5 mt/m <sup>2</sup>
Hatchcover	2,6 mt/m <sup>2</sup>

#### CONTAINER CAPACITY

In Hold	177 TEU
On Deck	110 TEU
Total (Nonimal)	287 TEU
Stackweight on deck	28 mt/TEU line load or Max. 35 mt/TEU (4 TEU next to each other, except mid position); 54 mt/FEU line load

Stackweight under deck	70 mt/TEU; 70 mt/FEU
Reefer Plugs	50

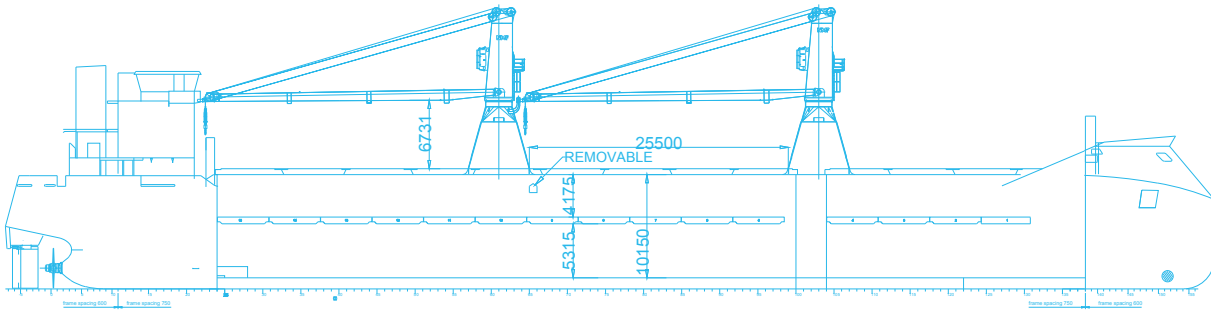
#### CARGO / HANDLING GEAR

Cranes	2 Cranes; Each up to 60mt
Comined Lift Capacity	120 mt
Position	Port Side
Automode	Yes
Hatch Gantry	Yes

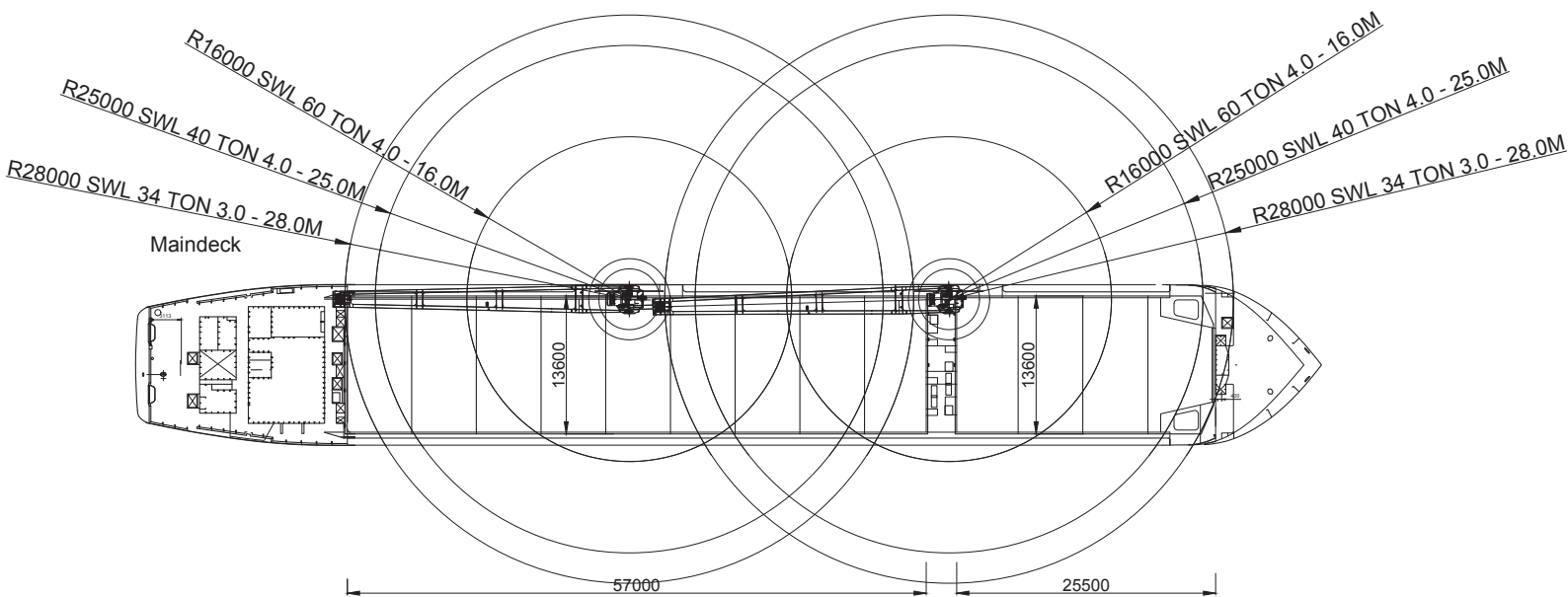
#### SPECIAL EQUIPMENT / FEATURE

Highest Iceclass	No
CO2 Fitted	Yes
Bowthruster	1 x 300 Kw (408 HP)
IMO 1-9 Fitted	Yes
A60 Bulkhead	No
Grain Fitted	Yes

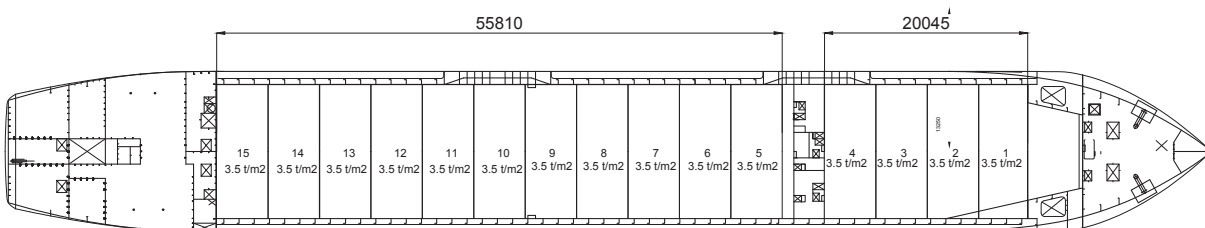
Side view



Weather deck (top view)



Tween deck (top view)



Tanktop (top view)

